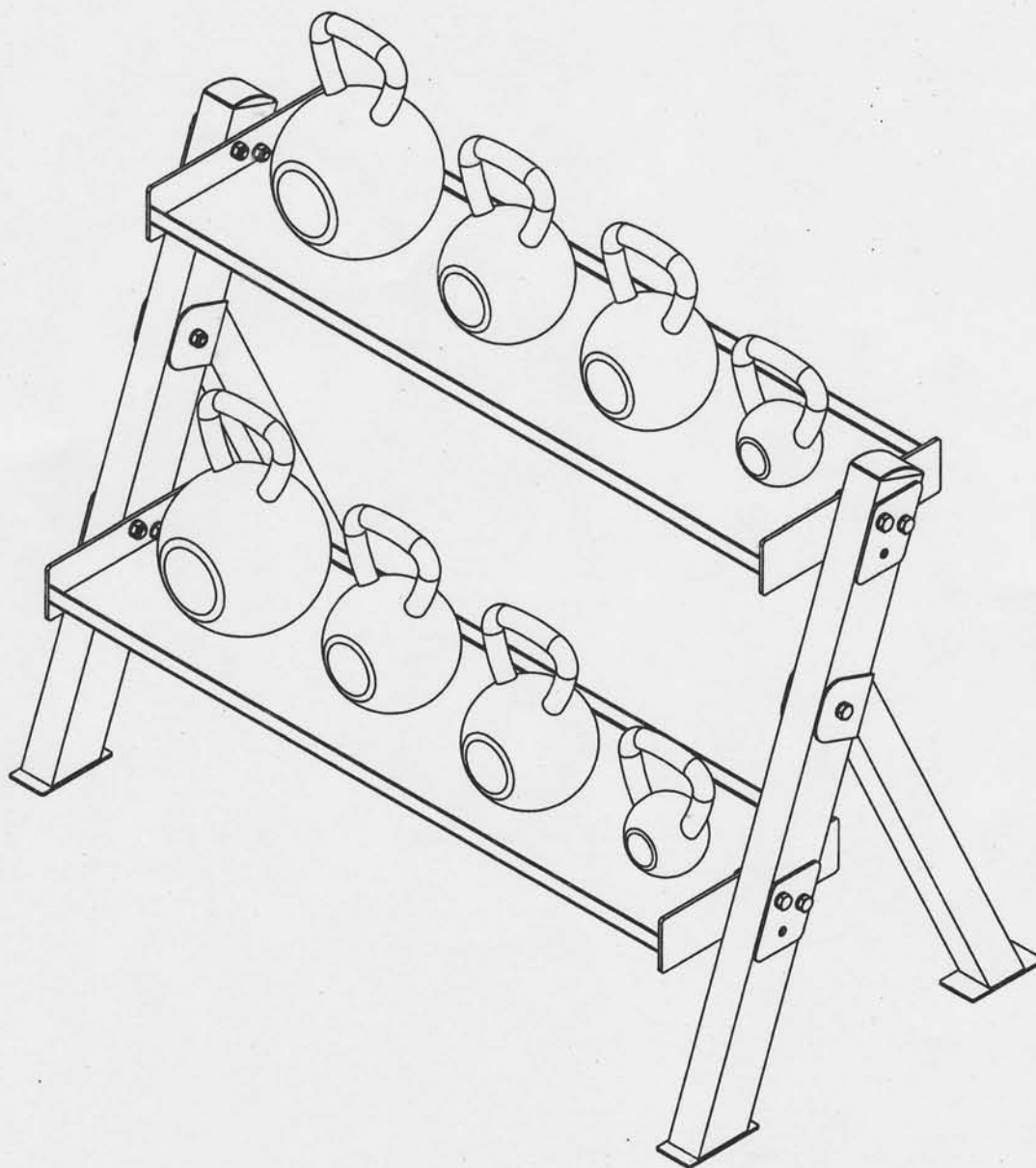
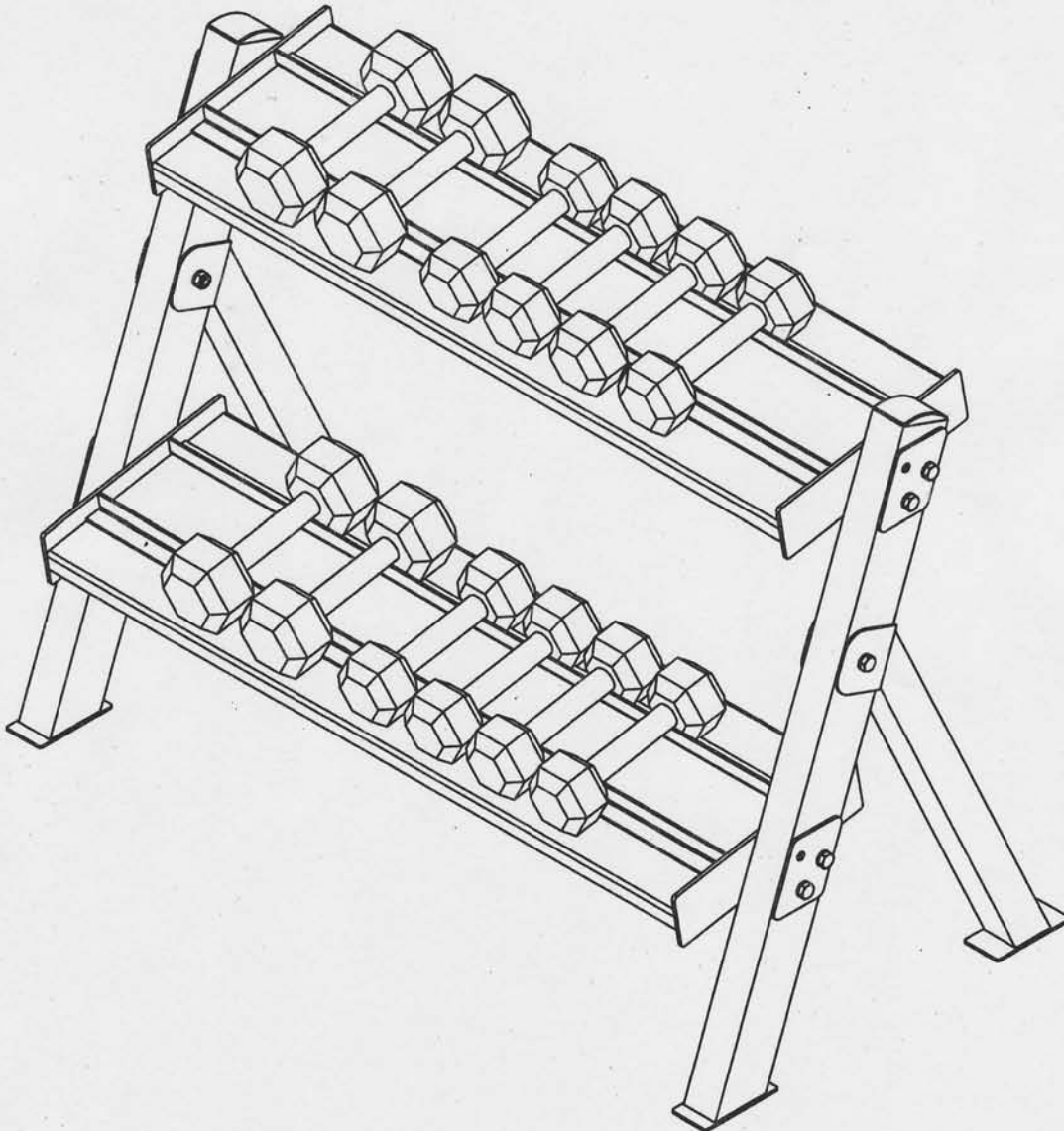


GDKR-100



VERSION 1007

GDKR-100



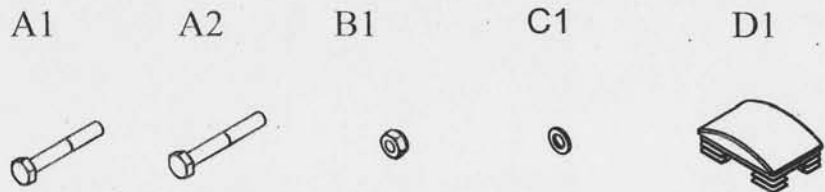
VERSION 1007



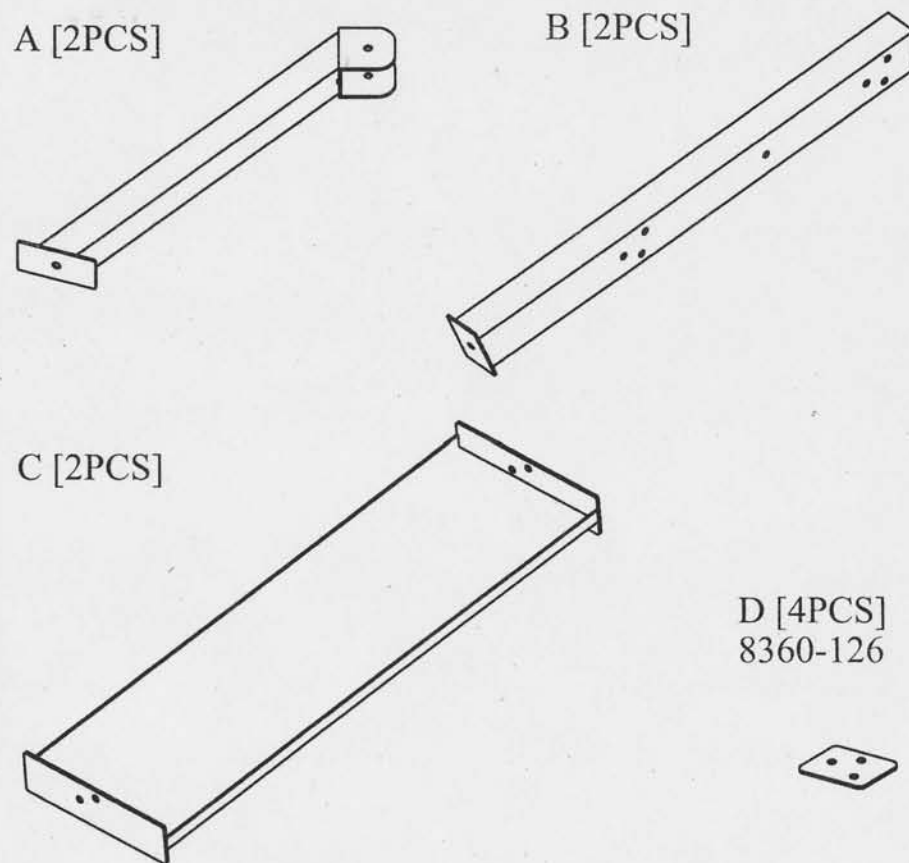
# GDKR-100

## HARDWARE ILLUSTRATION SHEET

	Qty.
A1. M10X70L HEX HEAD BOLT-----	[2PCS]
A2. M10X75L HEX HEAD BOLT-----	[8PCS]
B1. M10 NYLON LOCK NUT -----	[10PCS]
C1. M10 (Ø19) WASHER -----	[20PCS]
D1. 50X75L END CAP (9211-084) -----	[4PCS]



## PARTS ILLUSTRATION SHEET



# GDKR-100

