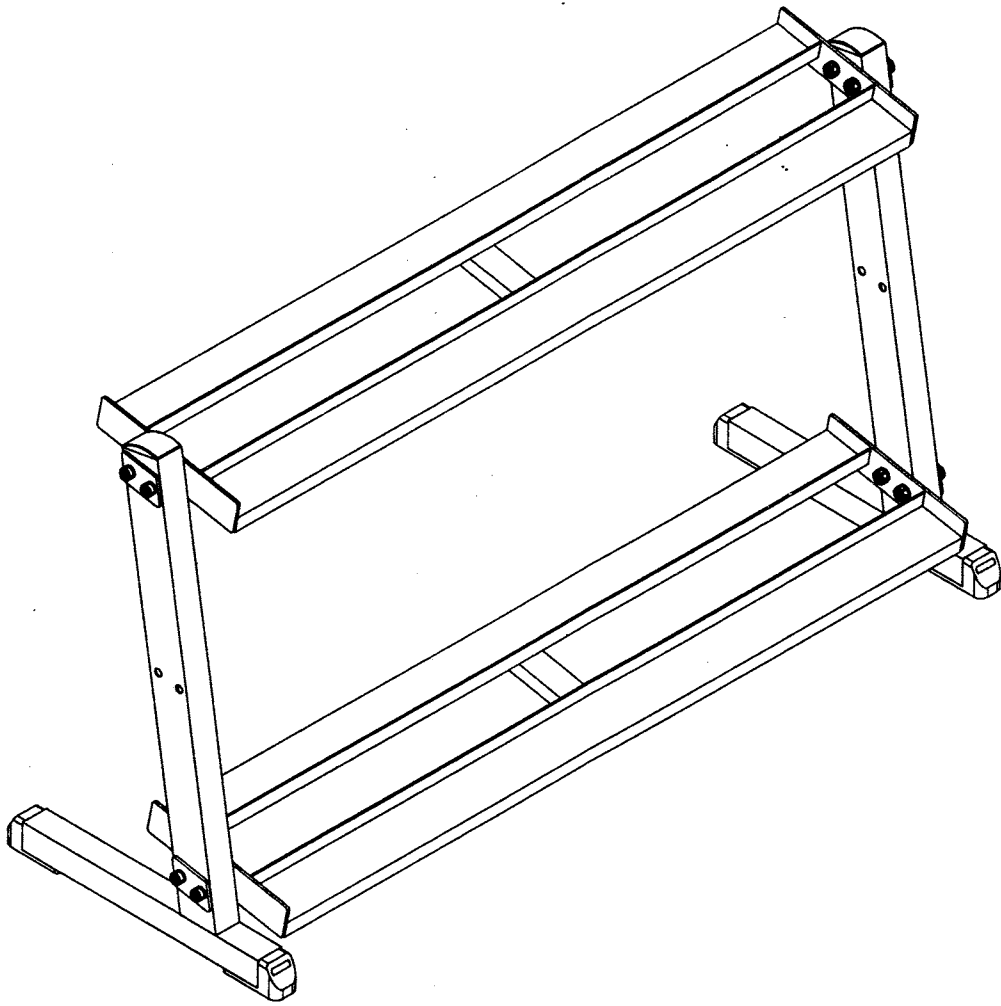


GDR-60

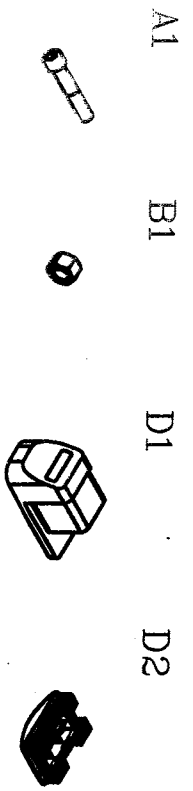


VERSION 0506

GDR-60

HARDWARE ILLUSTRATION SHEET

A1.M12X75L ROUND BOLT	-----	Qty.	[8PCS]
B1.M12 LOCK NUT	-----		[8PCS]
D1.2"X2" FOOT CAP (9211-024)	-----		[4PCS]
D2.50X75L END CAP(9211-084)	-----		[2PCS]



PARTS ILLUSTRATION SHEET

