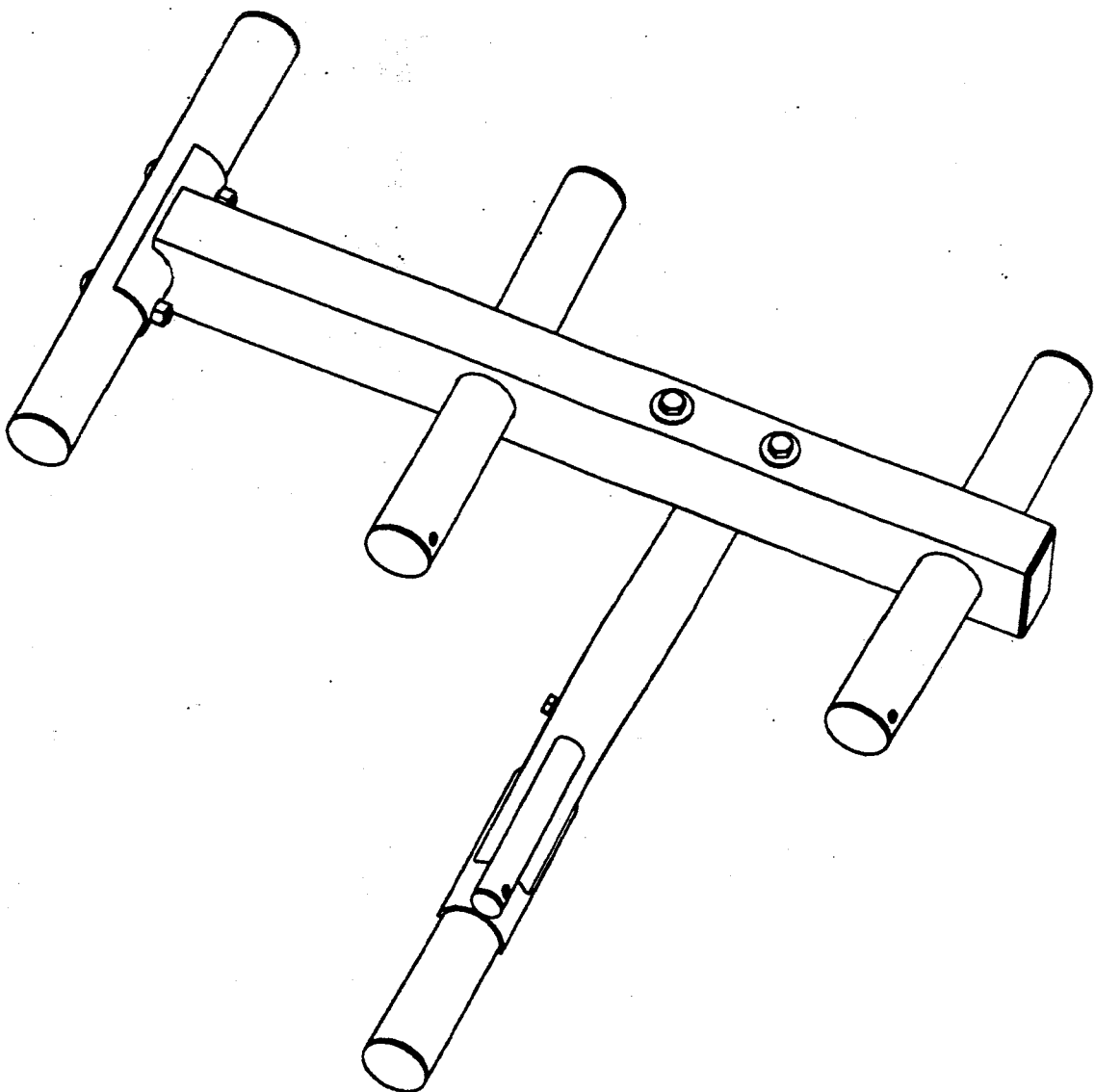


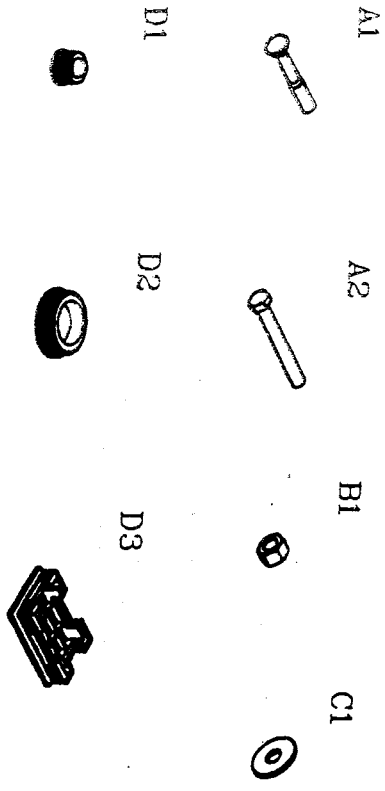
OWT-24



VERSION 0105

HARDWARE ILLUSTRATION SHEET

A1.	M10X65L CARRIAGE BOLT	[4PCS]	Qty.
A2.	M10X90L HEX HEAD BOLT	[2PCS]	
B1.	M10 LOCK NUT	[6PCS]	
C1.	M10 (I.D) WASHER	[2PCS]	
D1.	Ø1" ROUND END CAP (9211-016)	[2PCS]	
D2.	Ø50 ROUND END CAP(9211-020)	[8PCS]	
D3.	50X75 END CAP (9211-012)	[1PCS]	



PARTS ILLUSTRATION SHEET

