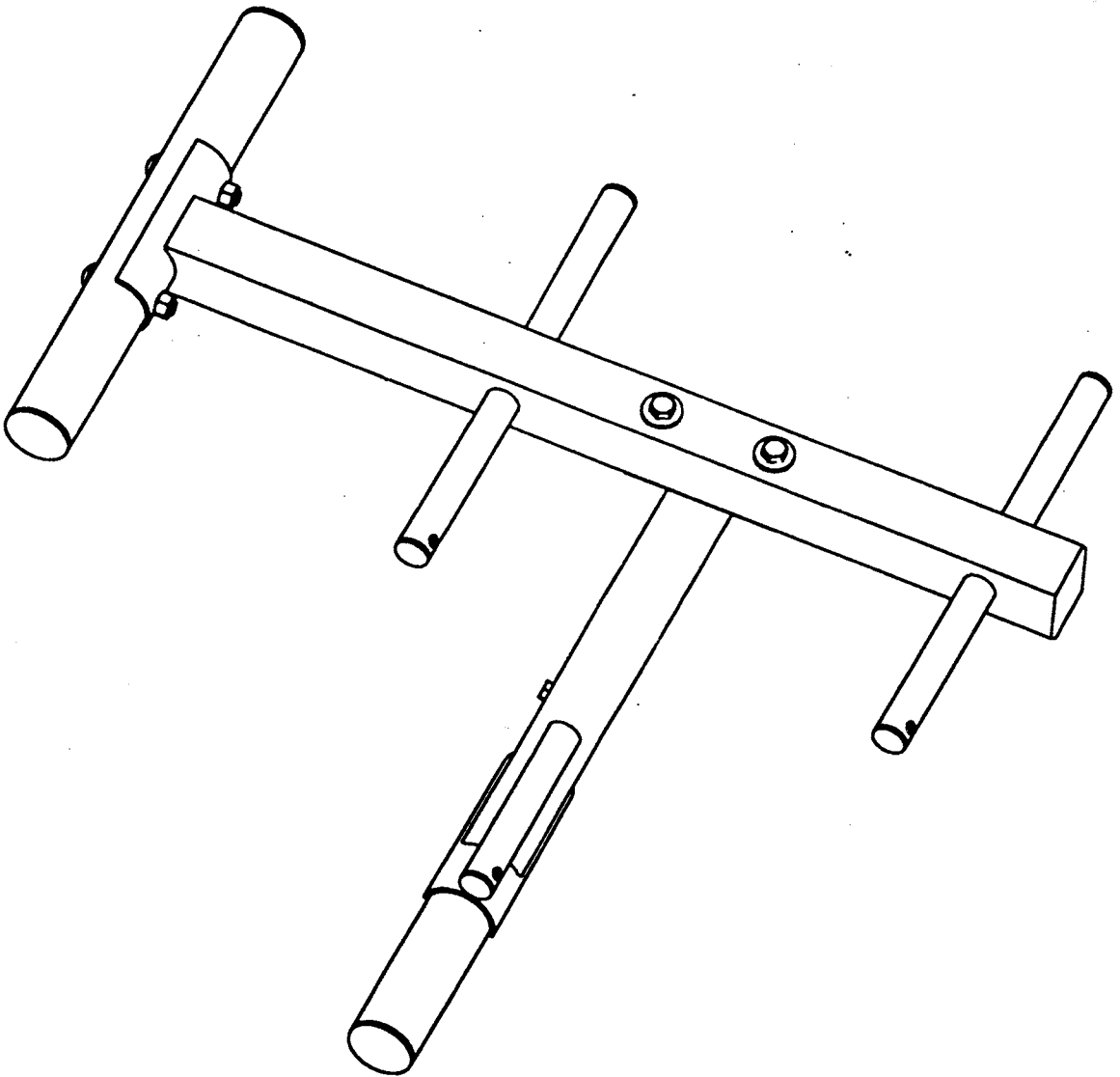


SWT-14



VERSION 0105

HARDWARE ILLUSTRATION SHEET

PARTS ILLUSTRATION SHEET

A1. M10X65L CARRIAGE BOLT	-----	[4PCS]
A2. M10X65L HEX HEAD BOLT	-----	[2PCS]
B1. M10 LOCK NUT	-----	[6PCS]
C1. M10 (I.D) WASHER	-----	[2PCS]
D1. Ø1" ROUND END CAP (9211-016)	-----	[6PCS]
D2. Ø50 ROUND END CAP (9211-020)	-----	[4PCS]
D3. 2"X2"X2.5t END CAP (9211-006)	-----	[1PCS]

Qty.



A1

A2

B1

C1



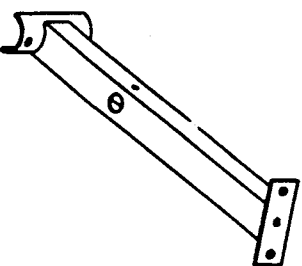
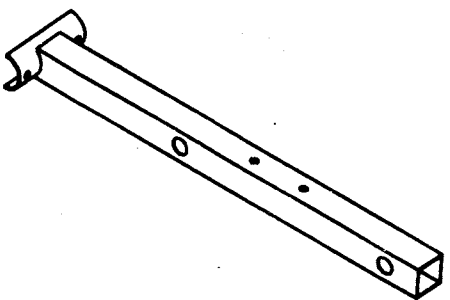
D1

D2

D3

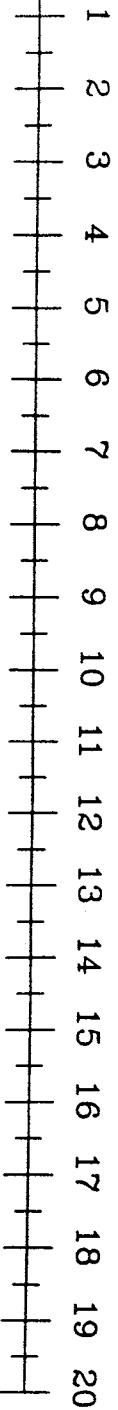
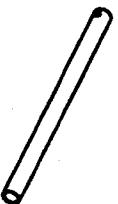
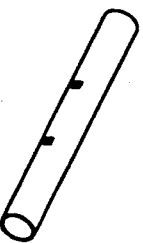
A[1PCS]

B[1PCS]



c[2PCS]

D[3PCS]



# SWT-14

